

ELLG075400S0

lavabi/ washbasin

codice
code

Lavabo SOFT semincasso/appoggio cm 75x40.
Soft inset/over-counter washbasin cm75x40.

bianco lucido/shiny white

ELLG075400S0BI

finiture COLORS 1250°/COLORS 1250° finishing

ELLG075400S0 ...

(Specificare il colore al momento dell'ordine/Specify the color when ordering)

ELLG075400S0 CA/CE/CT...

finiture Le malteceramiche/Le malteceramiche finishing

ELLG075400S0 ...

(Specificare il colore al momento dell'ordine/Specify the color when ordering)

ELLG075400S0 MK/CR/NR/OC

finiture LUXURY/Le malteceramiche finishing

ELLG075400S0 ...

(Specificare il colore al momento dell'ordine/Specify the color when ordering)

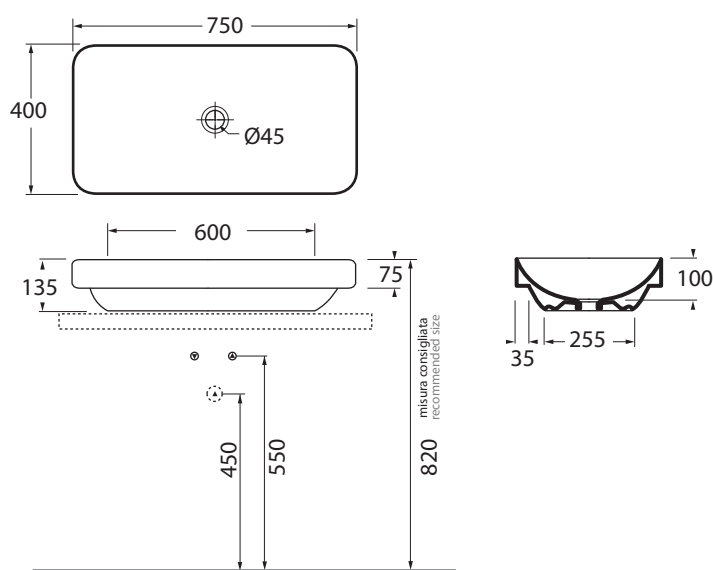
ELLG075400S0 OG/PL/OR



CM 75X40XH13,5

plt Italy pz. 12 - plt export pcs. 28

kg 17,5



scala/scale 1:20 dimensioni/dimensions in mm

Gamma di colori disponibile per lavabo e copripiletta PILCE
Color range available for washbasins and drain cap PILCE

COLORS 1250°



LUXURY

le MALTECERAMICHE



Complementi/complements:



Piletta con tappo in ceramica disponibile in tutti i colori:
COLORS 1250° / MALTECERAMICHE / LUXURY.
Specificare il colore al momento dell'ordine.
Incremento di prezzo + 50%.
Free flow ceramic drain available in all colors:
COLORS 1250° / MALTECERAMICHE / LUXURY.
Specify the color when ordering.
Price has to be 50% increased.

Codice
code

PILCE

kg 0,5



Piletta automatica ribassata senza troppo pieno
Flat automatic waste system without over flow

PILA

kg 0,5

| | | | | |
|---|-----------------------------------|---------------------------|---|-------------------------|
| TECHNICAL SHEET n°: 01 | DESIGNER: OFFICINA AZZURRA | CODE: ELLG075400S0 | Azzurra sanitari in ceramica S.p.a. via Civita Castellana snc 01030 Castel S.Elia (VT) - ITALY Tel. +39.0761 518155 Fax. +39.0761 514560 | |
| SHEET FORMAT: A4 | ISO | REVISION: 02 | SCALE: 1:20 | DATE: 22/07/2019 |
| REGULATIONS: CE EN 14688 / EN31 / Dop-14688 | | | | |
| All the measurements respect the tolerances provided by the "AZZURRA QUALITY GUIDELINES". | | | | |



* Regulations here shown are exclusively referred to ceramic items