

MBB 65 S



Mobile BUILD a terra finitura cemento
BUILD floor standing cabinet cement finish

codice
code

MBB S 65 OS

Mobile BUILD a terra finitura olmo bianco
BUILD floor standing cabinet white elm finish

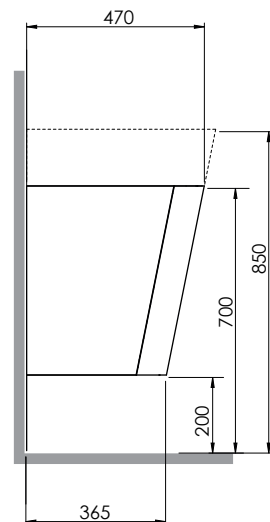
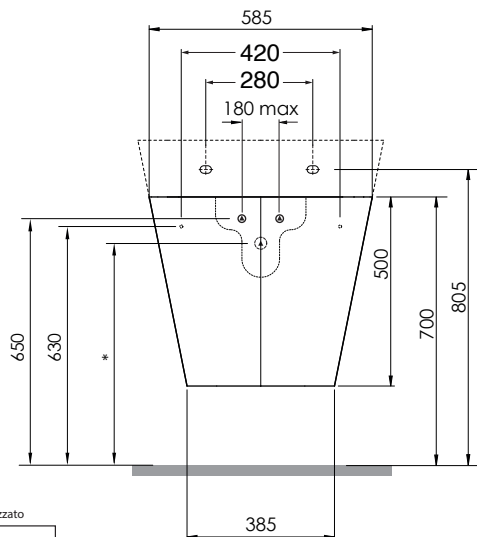
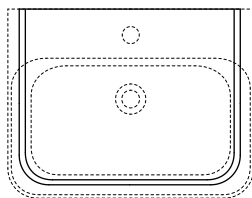
MBB S 65 OB

Mobile BUILD a terra finitura olmo naturale
BUILD floor standing cabinet natural elm finish

MBB S 65 ON

Cm58,5 X 47 XH50

kg 19



* quote associate al sifone utilizzato

SFR	SF	Tradizionale
620 mm	560 mm	590 mm

scala/scale 1:20 dimensioni/dimensions in mm

Gamma di colori disponibile per MOBILE

Color range available for FURNITURE



Olmo finitura bianco
White elm finish



Olmo finitura naturale
Natural elm finish



finitura cemento
Concrete finish

TECHNICAL SHEET n°: 01	DESIGNER: OFFICINA AZZURRA	CODE: MBB 65 S	Azzurra sanitari in ceramica S.p.a. via Civita Castellana snc 01030 Castel S.Elia (VT) - ITALY Tel.+39.0761 518155 Fax.+39.0761 514560		
SHEET FORMAT: A4	ISO	REVISION: 02	SCALE: 1:20	DATE: 14/04/2021	
REGULATIONS All the measurements respect the tolerances provided by the "AZZURRA QUALITY GUIDELINES".					